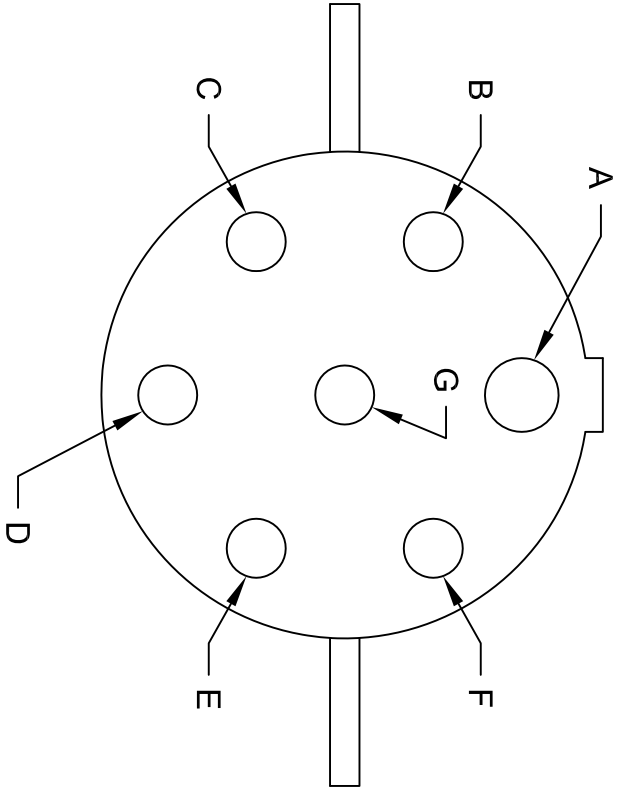
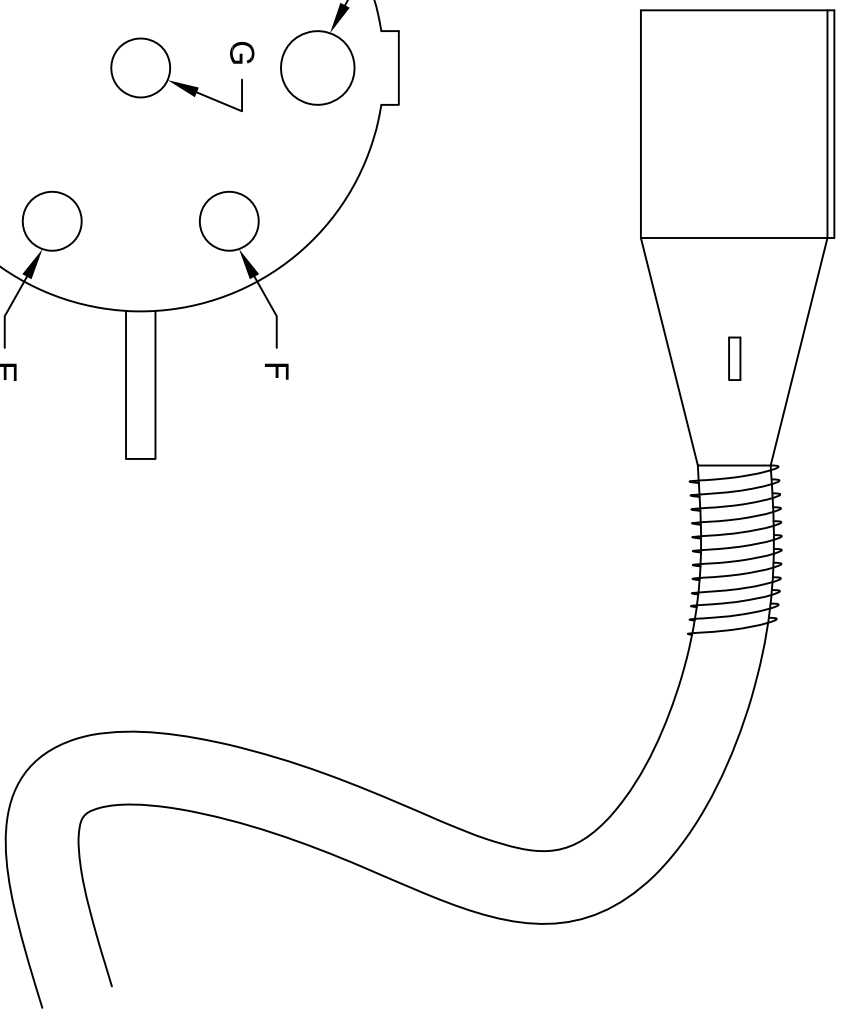


**NOTES:**

To extend 8ft. beyond pintle.

**WIRING NOTES:**

- A. WHITE: GROUND - 10
- B. BLACK: MARKER -12
- C. YELLOW: LEFT TURN & BRAKE - 12
- D. RED: STOP / BRAKE -12
- E. GREEN: RIGHT TURN & BRAKE - 12
- F. BROWN: TAIL - 12
- G. BLUE: ABS -12



**PA DEPARTMENT OF TRANSPORTATION**

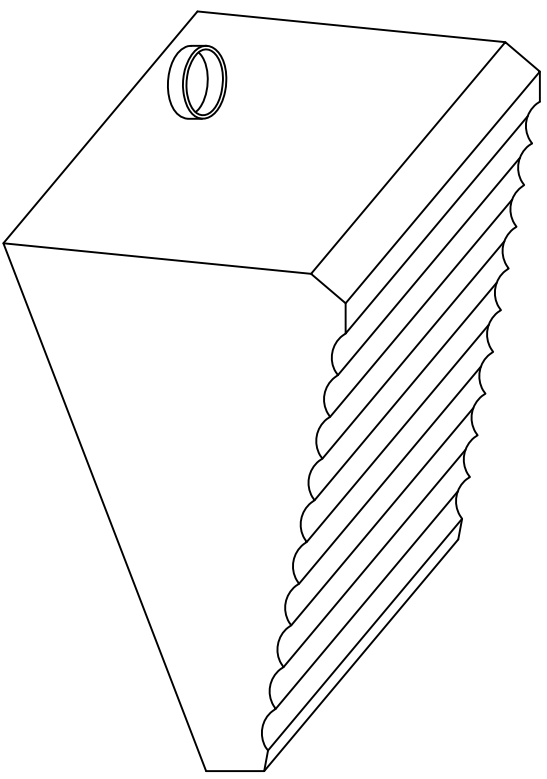
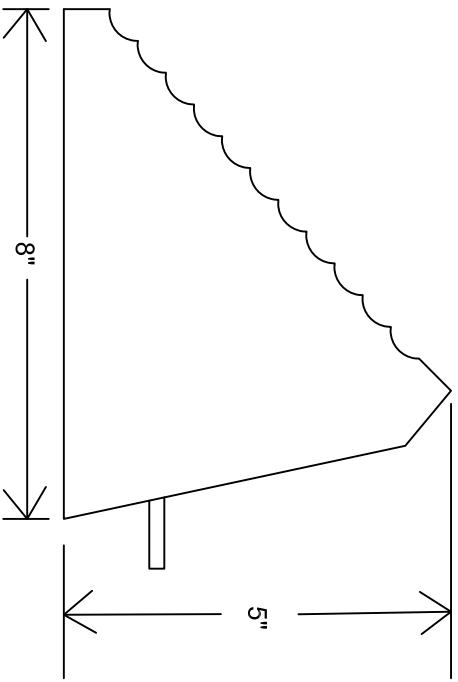
**REVISIONS**

NO.	DATE	BY	DESCRIPTION
1	5-16-2018	KBD	ROUND PIN MALE CONNECTOR
2			
3			

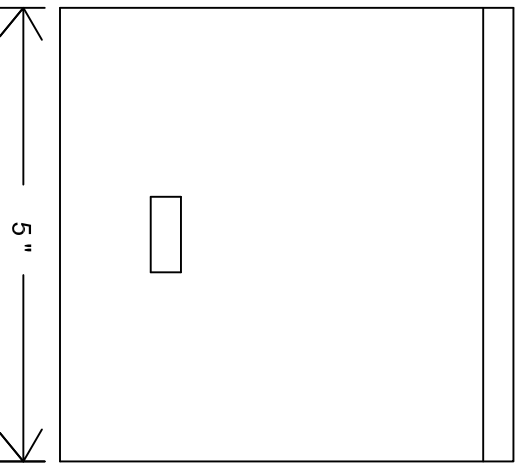
**WIRING DIAGRAM / 7 WAY**

**ROUND PIN MALE CONNECTOR**

DRAWN BY	SCALE	EQN-80B
JJB	N/A	
DATE	CHRG BY	SHEET 1 OF 1
08-02-16		



FINAL MOUNTING LOCATION SHALL BE DETERMINED AT THE PRE-BUILD MEETING. CHOCK HOLDERS SHALL BE ALUMINUM. TWO CHOCKS PER TRUCK SHALL BE SUPPLIED. CHOCKS SHALL HAVE 4 FEET OF  $\frac{3}{8}$  INCH NYLON ROPE CONNECTING THE TWO CHOCKS TOGETHER.



**PA DEPARTMENT OF TRANSPORTATION**

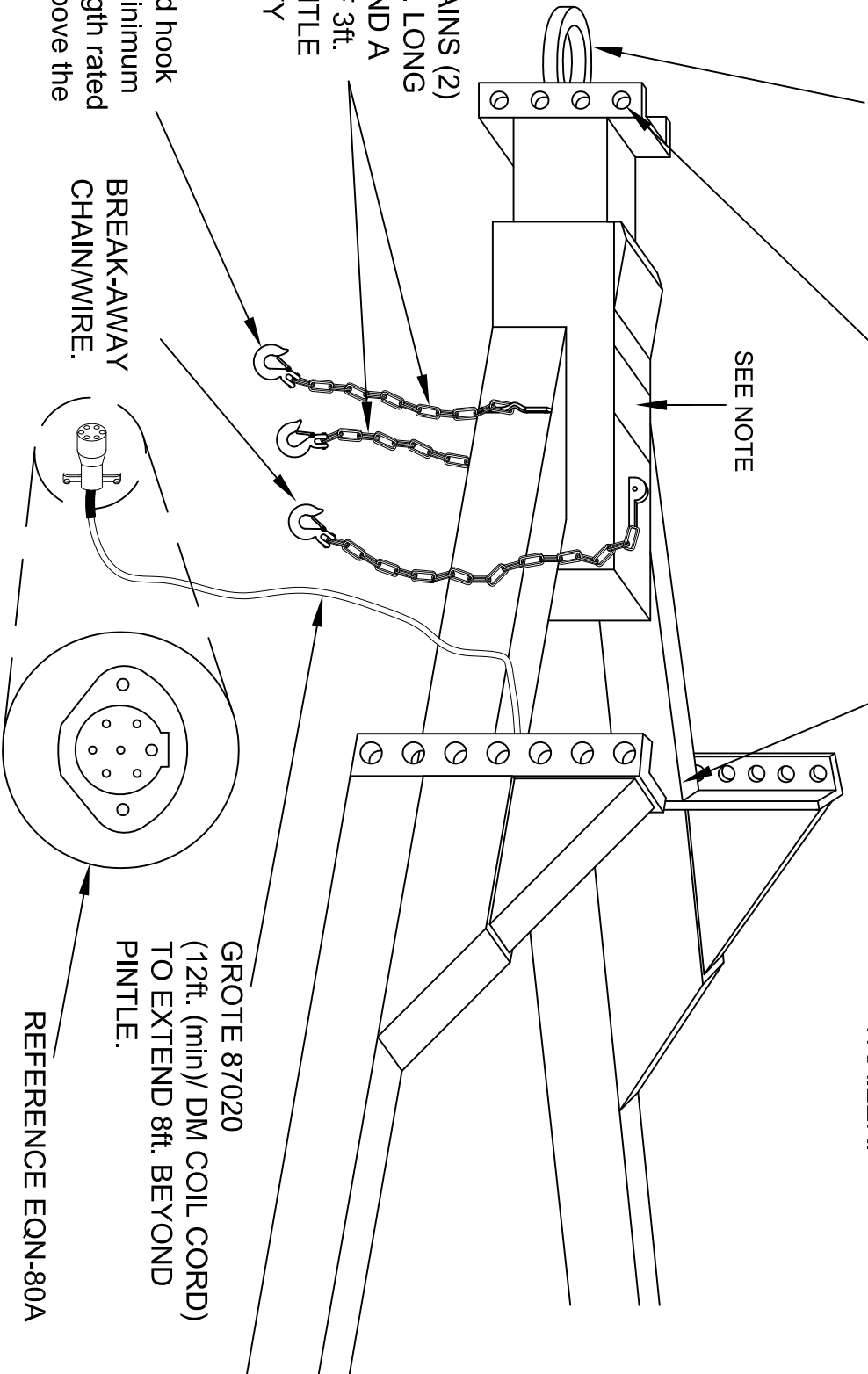
REVISIONS			5" X 8" X 5" CHOCK AND HOLDER		
NO.	DATE	BY	DRAWN BY	SCALE	
1			JJB	N/A	EQN-82A
2					
3					

DATE 07-22-15 SHEET 1 OF 1

SURGE-BRAKE ACTUATOR WITH 3in. LUNNETTE EYE. REF: DICO MODEL 20 OR DICO MODEL 10 OR EQUAL.

VARIABLE ADJUSTMENT BY COMBINATION OF ONE OR BOTH ADJUSTMENTS TO ALLOW 18in. TO 28in.

HEAVY DUTY (BOX CHANNEL PREFERABLE) DESIGN WITH MINIMUM CAPACITY NOT LESS THAN 10% MORE THAN TONGUE WEIGHT OF THE TRAILER.



Each chain and hook shall have a minimum breaking strength rated equal too or above the GVWR.

ANY ALTERNATE OR ADDITIONAL DESIGNS RECOMMENDED BY THE MANUFACTURER SHALL BE SUBMITTED, IN WRITING, TO THE FLEET MANAGEMENT DIVISION SPECIFICATION UNIT FOR APPROVAL. IF A PERMANENT HITCH MUST BE UTILIZED IT SHALL BE SET AT 28 INCHES.

**NOTE:** THERE SHALL BE A COLE HERSEE, HOLDER 11750 MOUNTED IN THE TONGUE AREA.

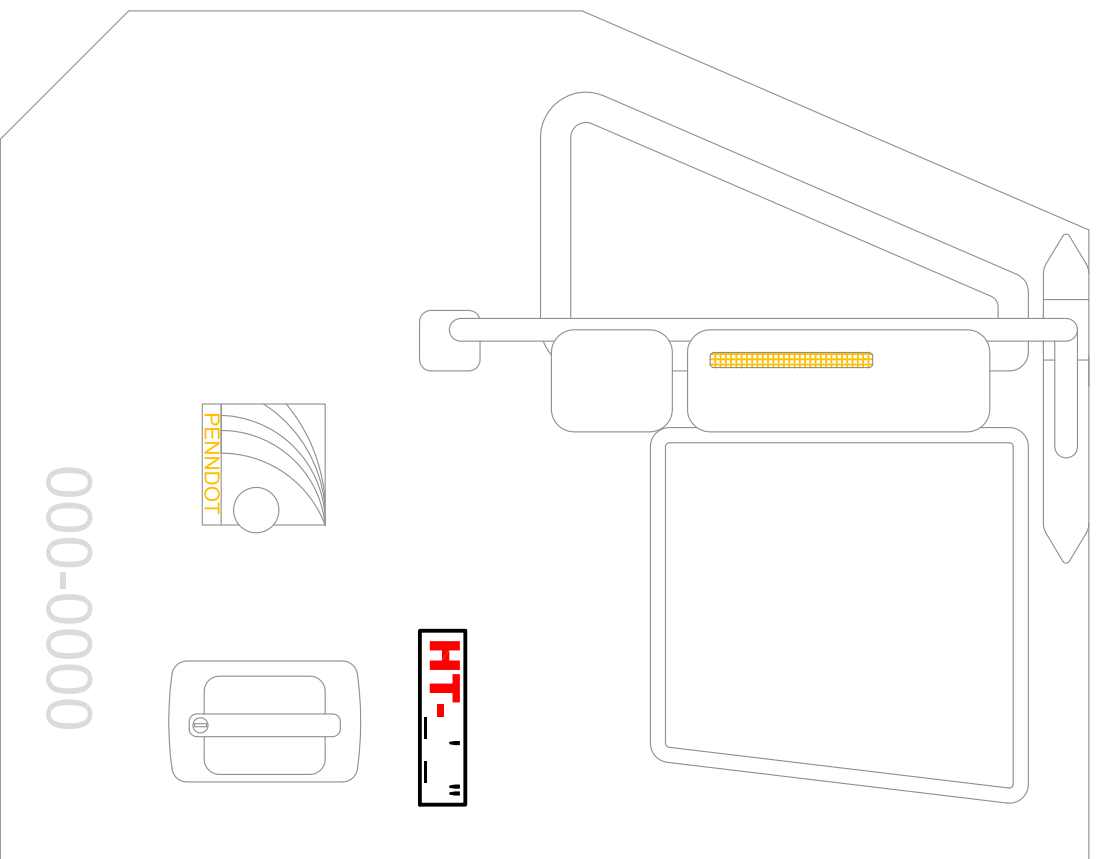
**PA DEPARTMENT OF TRANSPORTATION**

**REVISIONS**

NO.	DATE	BY	ACT	TRAILER, FRONT END SPECIFICATIONS
1	08-21-14	ACT		
2	07-22-15	JJB		
3	05-16-18	KBD		

**TRAILER, FRONT END SPECIFICATIONS**

NO.	DATE	BY	ACT	TRAILER, FRONT END SPECIFICATIONS
1	08-21-14	ACT		
2	07-22-15	JJB		
3	05-16-18	KBD		



THERE SHALL BE A PERMANENT DECAL, 2 INCH HIGH RED LETTERS ON WHITE BACKGROUND AFFIXED BY THE DRIVER SIDE DOOR HANDLE OR OPERATOR STATION STATING THE OVERALL MAXIMUM TRAVEL HEIGHT OF THE COMPLETED AND UNLOADED UNIT.

**PA DEPARTMENT OF TRANSPORTATION**

**REVISIONS**

NO.	DATE	BY	DESCRIPTION
1	07-06-17	HMR	MAX TRAVEL HEIGHT STICKER
2			
3			

MAX TRAVEL HEIGHT STICKER

DRAWN BY	JFM	SCALE	2	EQN-552
DATE	05-29-13	CHECKED BY	INT	SHEET 1 OF 1

